

# HERRINGBONE BY THERMORY

## INSTALLATION GUIDE

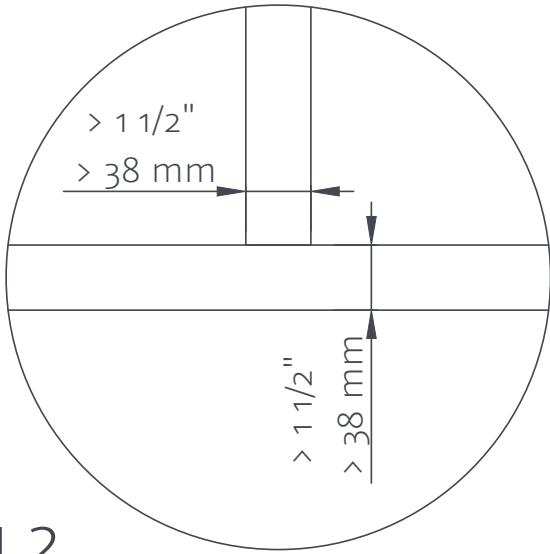
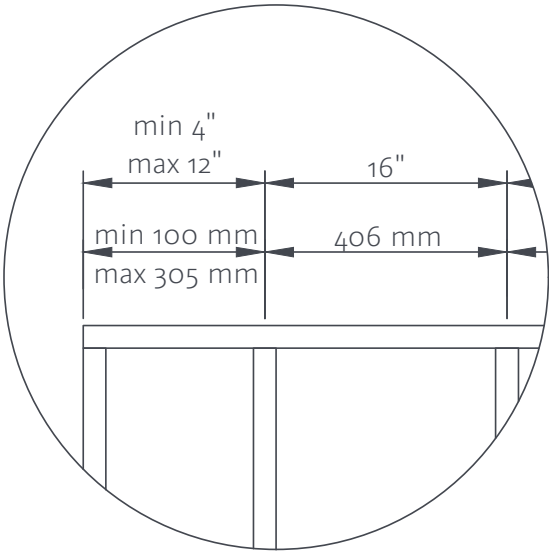
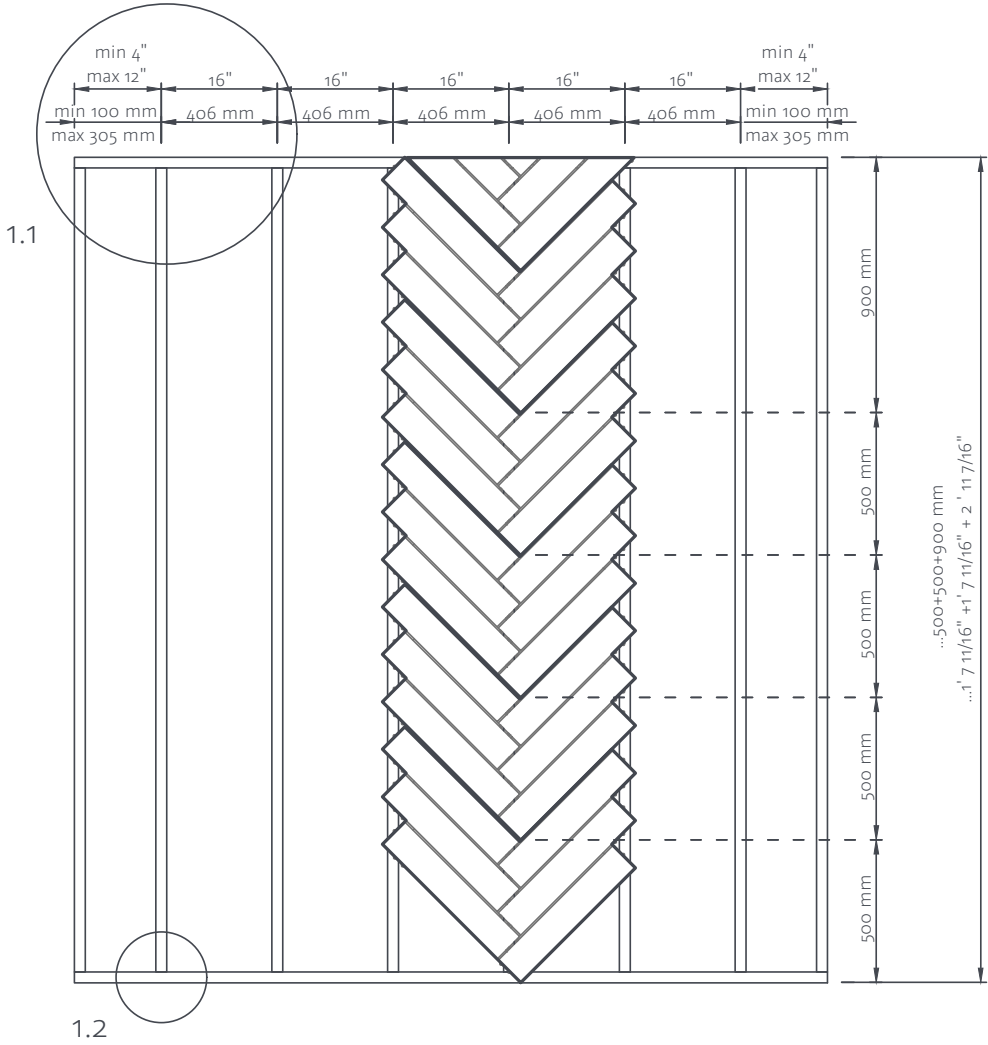


**HERRINGBONE**  
by THERMORY®

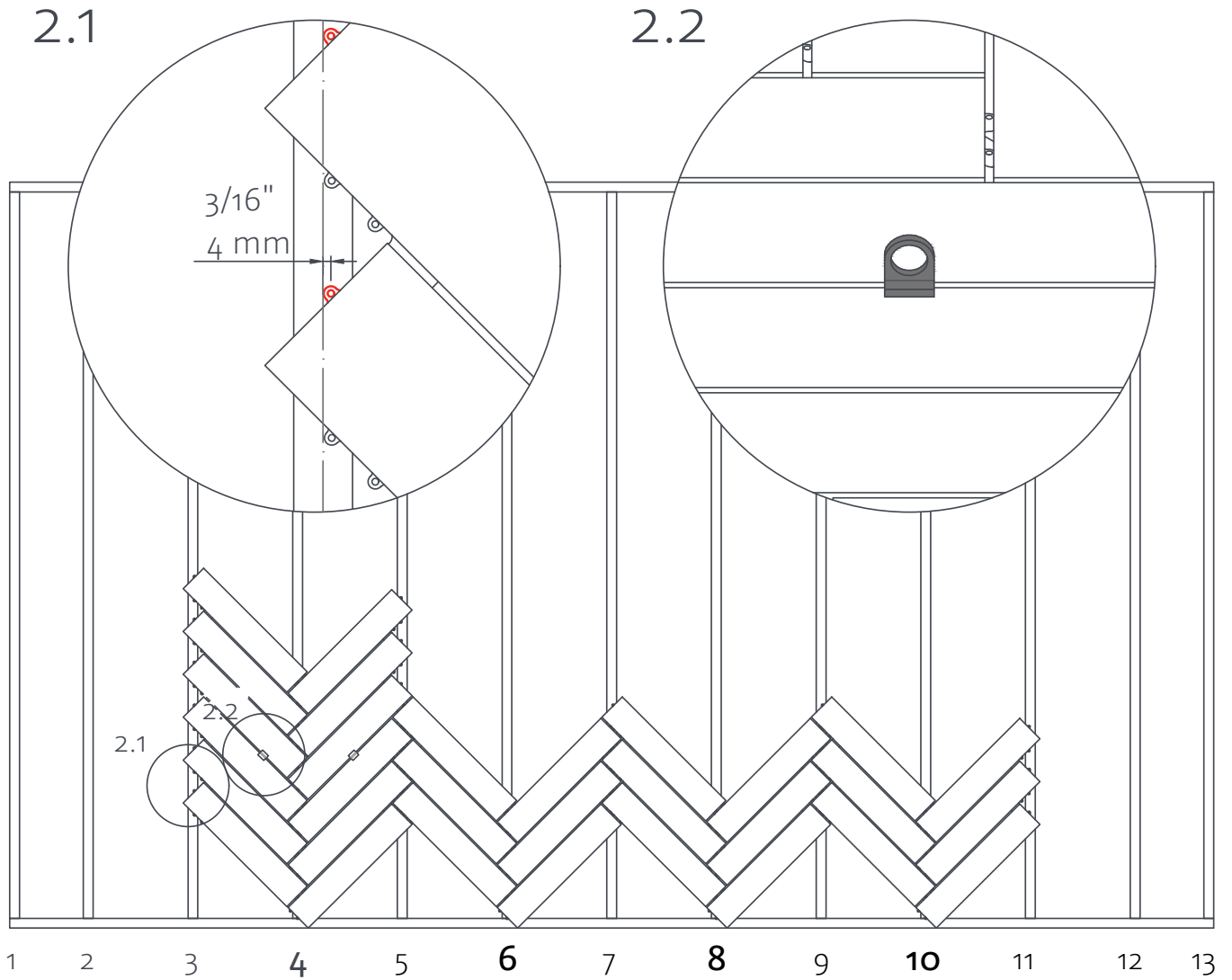
Create a stunning  
herringbone pattern  
for your decking area.

1. POSITIONING JOISTS	2
2. INSTALLING MODULES	3
3. ADDING STARTER AND END CAP MODULES	4
4. FASTENING MODULES WITH SCREWS	4
5. FINISHING THE EDGES	5
6. USING STARTER MODULE ON OPPOSITE SIDE	6
7. EDGE BOARD MUST BE MOUNTED FLUSH WITH DECKING	6
8. „HERRINGBONE BY THERMORY“ DECKING MODULES ORDER GUIDE	7

# 1. Positioning joists

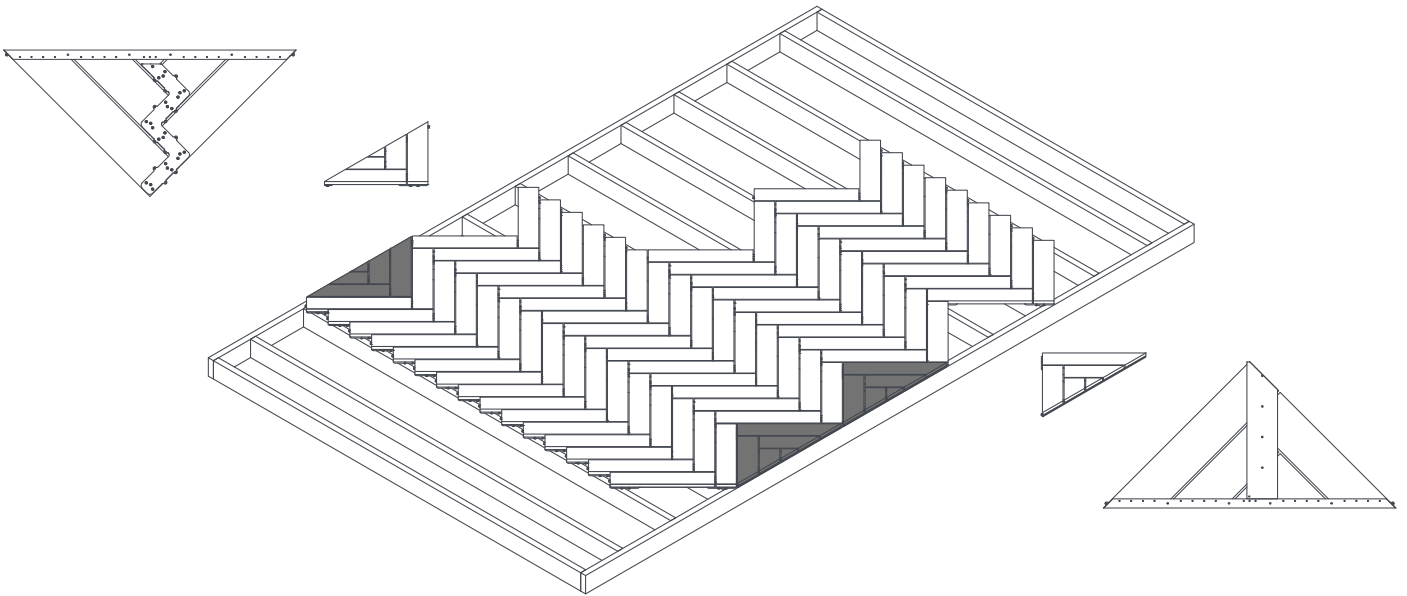


## 2. Installing modules

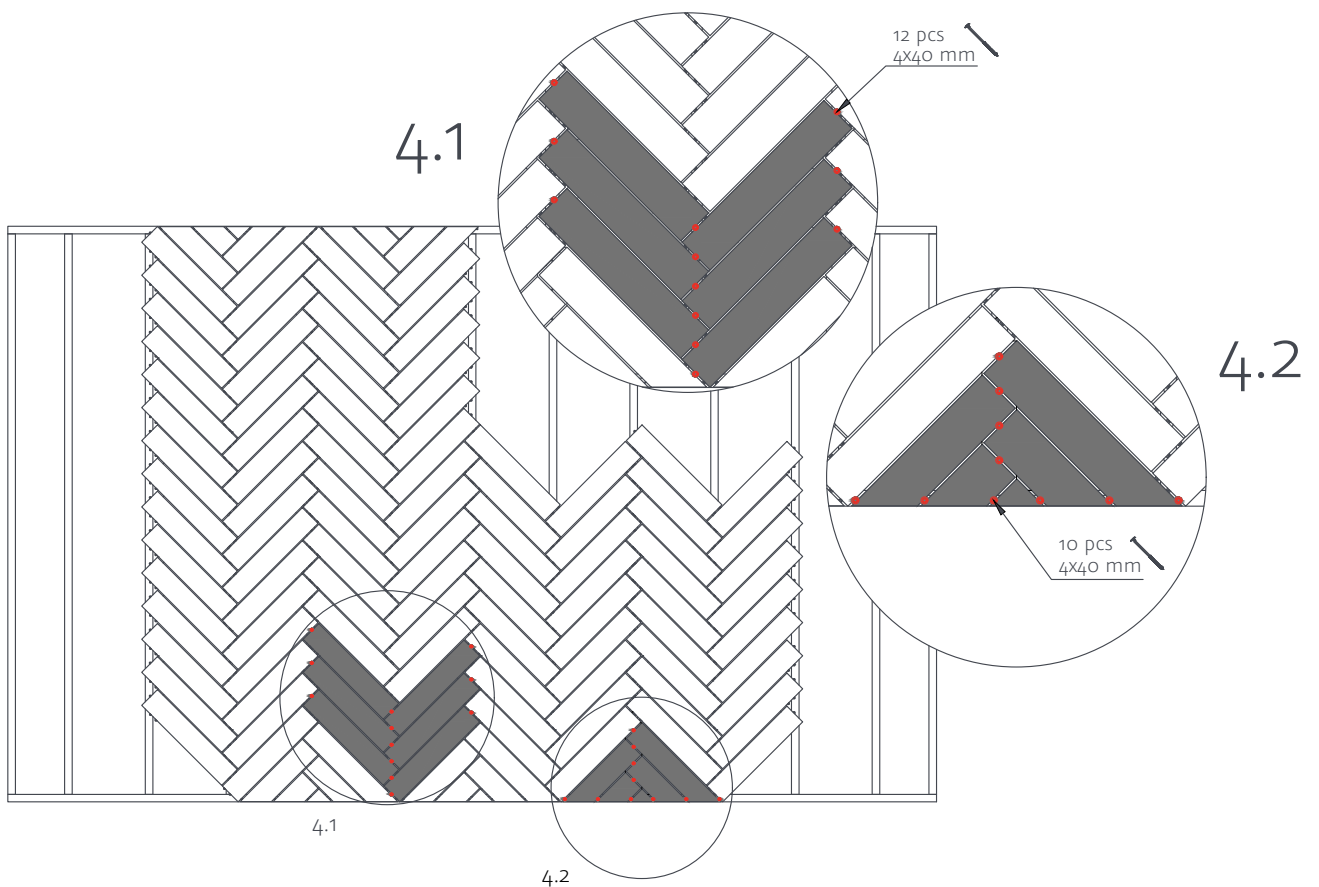


RH 40% ~ 60%

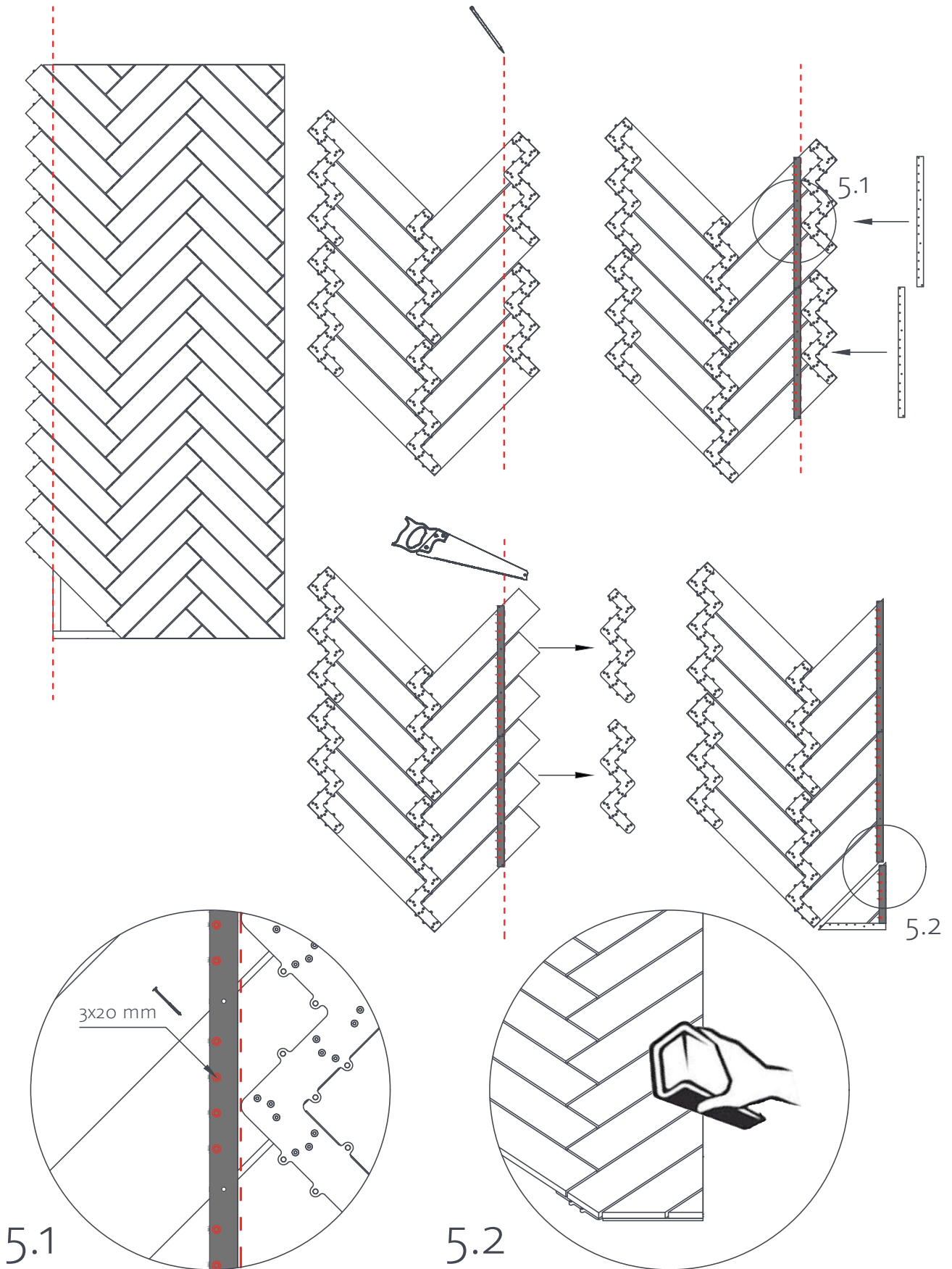
### 3. Adding starter and end cap modules



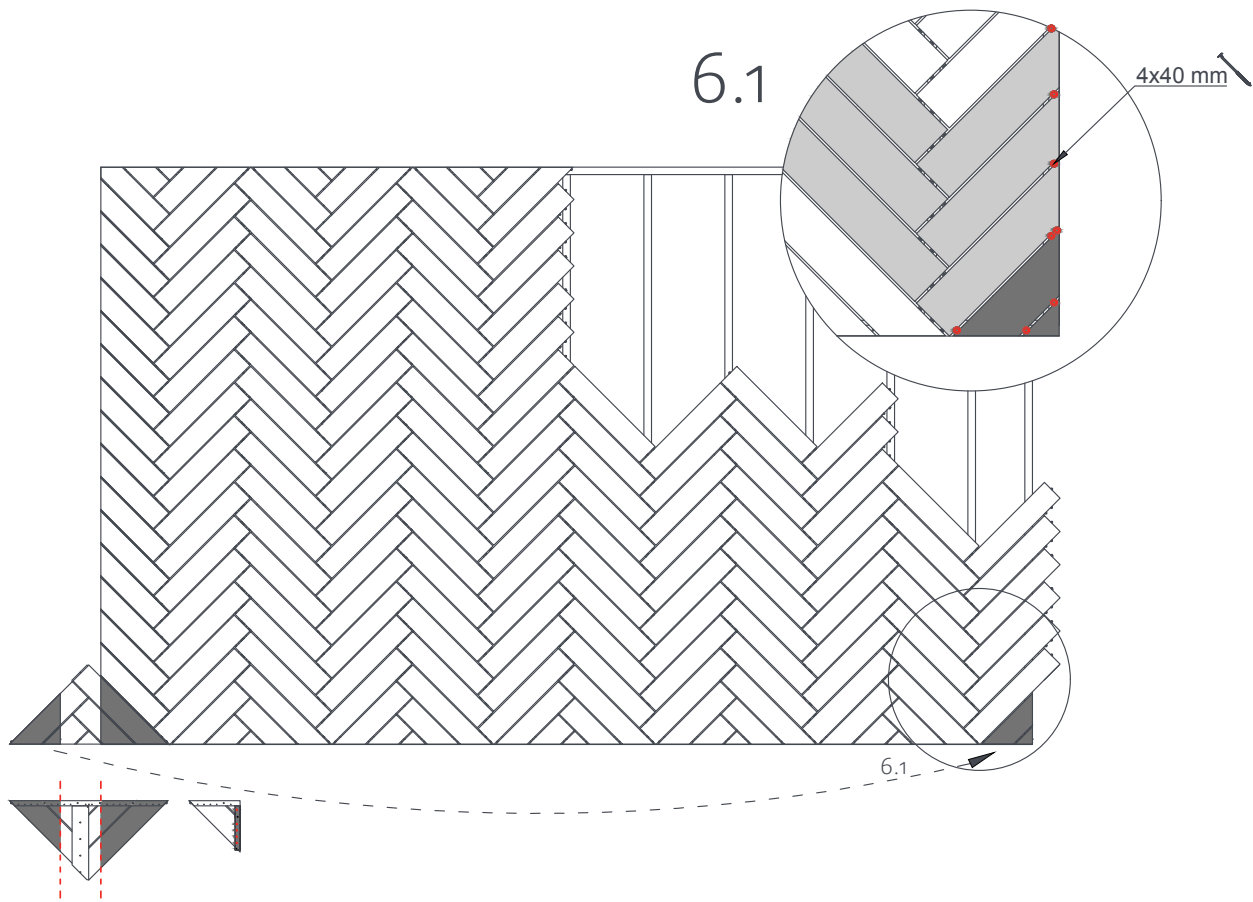
### 4. Fastening modules with screws



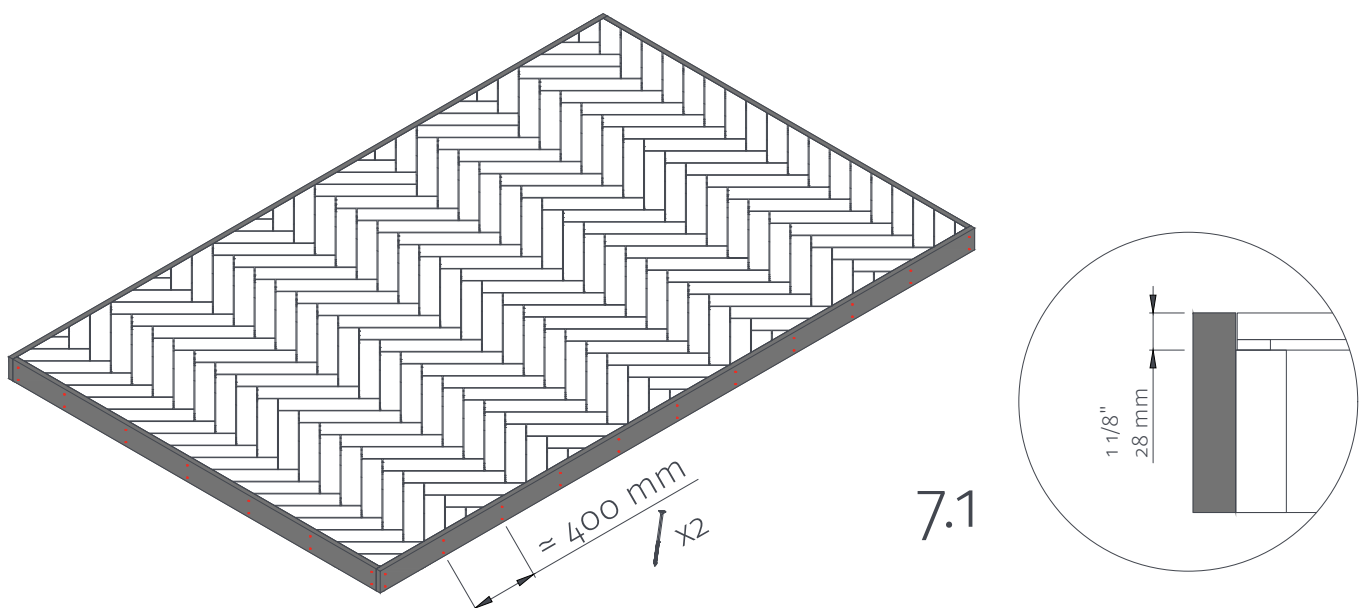
## 5. Finishing the edges



## 6. Using starter module on opposite side



## 7. Edge board must be mounted flush with decking



**"HERRINGBONE BY THERMORY" DECKING MODULES ORDER GUIDE**

**Deck width up to:**

<b>imperial</b>	2'	4' 8"	7' 4"	10'	12' 8"	15' 4"	18'	20' 8"	23' 4"	26'	28' 8"	31' 4"	34'	36' 8"	39' 4"	42'	44' 8"	47' 4"
<b>mm</b>	610	1 422	2 235	3 048	3 861	4 674	5 486	6 299	7 112	7 925	8 738	9 550	10 363	11 176	11 989	12 802	13 614	14 427
<b>amount of joists</b>	3	5	7	9	11	13	15	17	19	21	23	25	27	29	31	33	35	37

**Herringbone starter module and end cap module boxes (2 pcs + 2 pcs in a box). Boxes to be purchased:**

1	1	2	2	3	3	4	4	5	5	6	6	7	7	8	8	9	9
---	---	---	---	---	---	---	---	---	---	---	---	---	---	---	---	---	---

boxes

**Herringbone module boxes (4 pcs in a box). Boxes to be purchased:**

<b>Deck length up to:</b>	<b>imperial</b>	<b>mm</b>	<b>Herringbone module boxes (4 pcs in a box). Boxes to be purchased:</b>																	
		2' 11 1/2"	900	1	1	1	1	2	2	2	2	3	3	3	3	4	4	4	4	5
	4' 7 1/8"	1 400	1	1	2	2	3	3	4	4	5	5	6	6	7	7	8	8	9	9
	6' 2 3/4"	1 900	1	2	3	3	4	5	6	6	7	8	9	9	10	11	12	12	13	14
	7' 10 1/2"	2 400	1	2	3	4	5	6	7	8	9	10	11	12	13	14	15	16	17	18
	9' 6 1/8"	2 900	2	3	4	5	7	8	9	10	12	13	14	15	17	18	19	20	22	23
	11' 1 7/8"	3 400	2	3	5	6	8	9	11	12	14	15	17	18	20	21	23	24	26	27
	12' 9 1/2"	3 900	2	4	6	7	9	11	13	14	16	18	20	21	23	25	27	28	30	32
	14' 5 1/4"	4 400	2	4	6	8	10	12	14	16	18	20	22	24	26	28	30	32	34	36
	16' 7/8"	4 900	3	5	7	9	12	14	16	18	21	23	25	27	30	32	34	36	39	41
	17' 8 5/8"	5 400	3	5	8	10	13	15	18	20	23	25	28	30	33	35	38	40	43	45
	19' 4 1/4"	5 900	3	6	9	11	14	17	20	22	25	28	31	33	36	39	42	44	47	50
	21'	6 400	3	6	9	12	15	18	21	24	27	30	33	36	39	42	45	48	51	54
	22' 7 5/8"	6 900	4	7	10	13	17	20	23	26	30	33	36	39	43	46	49	52	56	59
	24' 3 3/8"	7 400	4	7	11	14	18	21	25	28	32	35	39	42	46	49	53	56	60	63
	25' 11"	7 900	4	8	12	15	19	23	27	30	34	38	42	45	49	53	57	60	64	68
	27' 6 5/8"	8 400	4	8	12	16	20	24	28	32	36	40	44	48	52	56	60	64	68	72
	29' 2 3/8"	8 900	5	9	13	17	22	26	30	34	39	43	47	51	56	60	64	68	73	77
	30' 10"	9 400	5	9	14	18	23	27	32	36	41	45	50	54	59	63	68	72	77	81
	32' 5 3/4"	9 900	5	10	15	19	24	29	34	38	43	48	53	57	62	67	72	76	81	86
	34' 1 1/2"	10 400	5	10	15	20	25	30	35	40	45	50	55	60	65	70	75	80	85	90

boxes

Starter modules and end cap modules have to be purchased separately from the main modules as noted in table above. As a standard practice with any decking product always purchase 5% more to compensate for material loss due to installation procedures and subconstruction imperfections.

Last updated: January 2019.  
All previous versions are null and void.

